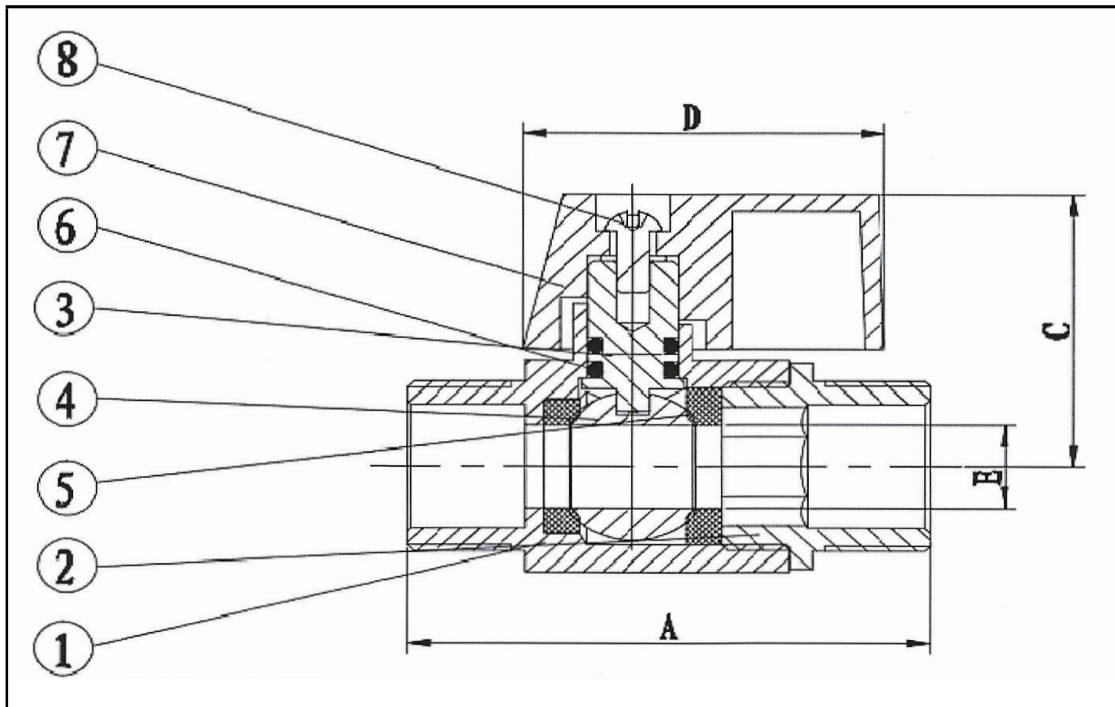




LL1027C (M/M) MINI BALL VALVE



NO	Parts	Material
1	Body	Brass
2	Bonnet	Brass
3	Stem	Brass
4	Ball Seat	PTFE
5	Ball	Brass
6	O rings	NBR
7	Handle	Aluminium
8	Nut	Stainless Steel 201#

MINI BALL VALVE

SUITABLE FOR WATER SERVICES,
HEATING AND AIR-CONDITIONING
PLANTS, COMPRESSED AIR SYSTEMS

Dimension:mms	1/2"
A	52
C	28
D	22
E	10
PN	25